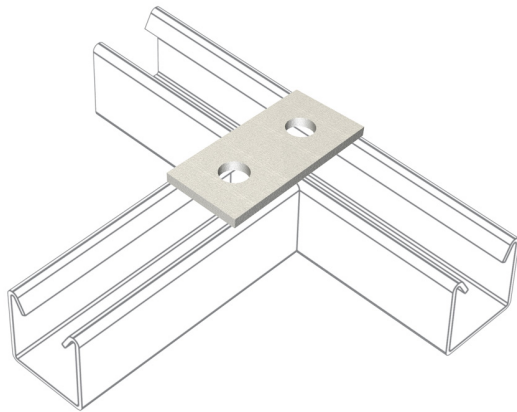


PRODUCT CODE: MP2
CHANNEL BRACKET



DESCRIPTION

Splice Plate 2 Hole

FINISH

Hot Dipped Galvanised

MATERIAL

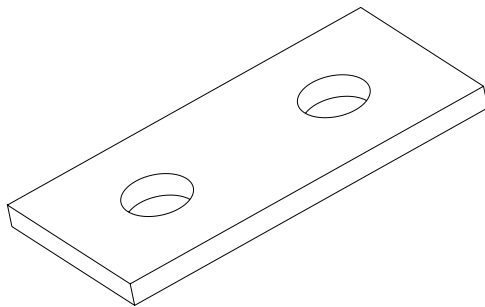
Steel

PACKAGING

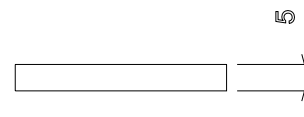
Packed in qty 50

ADDITIONAL NOTES

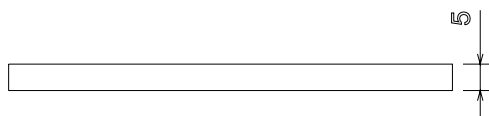
Compliant to LU Standard 1-085 (for use on surface & sub-surface locations)



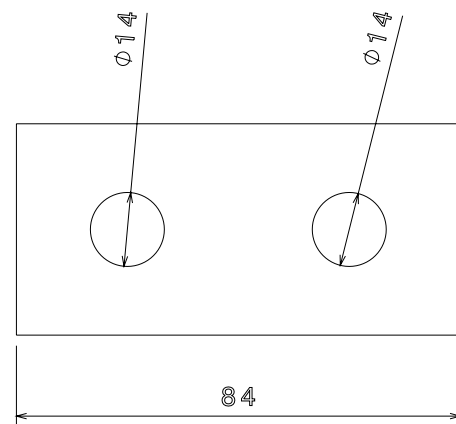
Isometric view



Side view



Side view



Front view